

High Amplitude Multi-Roll Santoprene® Surround
(Patent Pending)

Reinforced Parabolic Cone Structure with Poly-Mica Dust Cap & Pulp-Kevlar Cone Body

Concealed Mount Gasket
(Integrated Grille System Ready, US Pat #7,760,900)

Reinforced Cone Neck & Spider Joint

Progressive Conex® Spider with Reinforced Layer Tinsel Leads
(US Pat #6,810,988)

Integrated 8AWG Push Terminals with VC Configuration Jumpers

High-Excursion Overhung Voice Coil Configuration

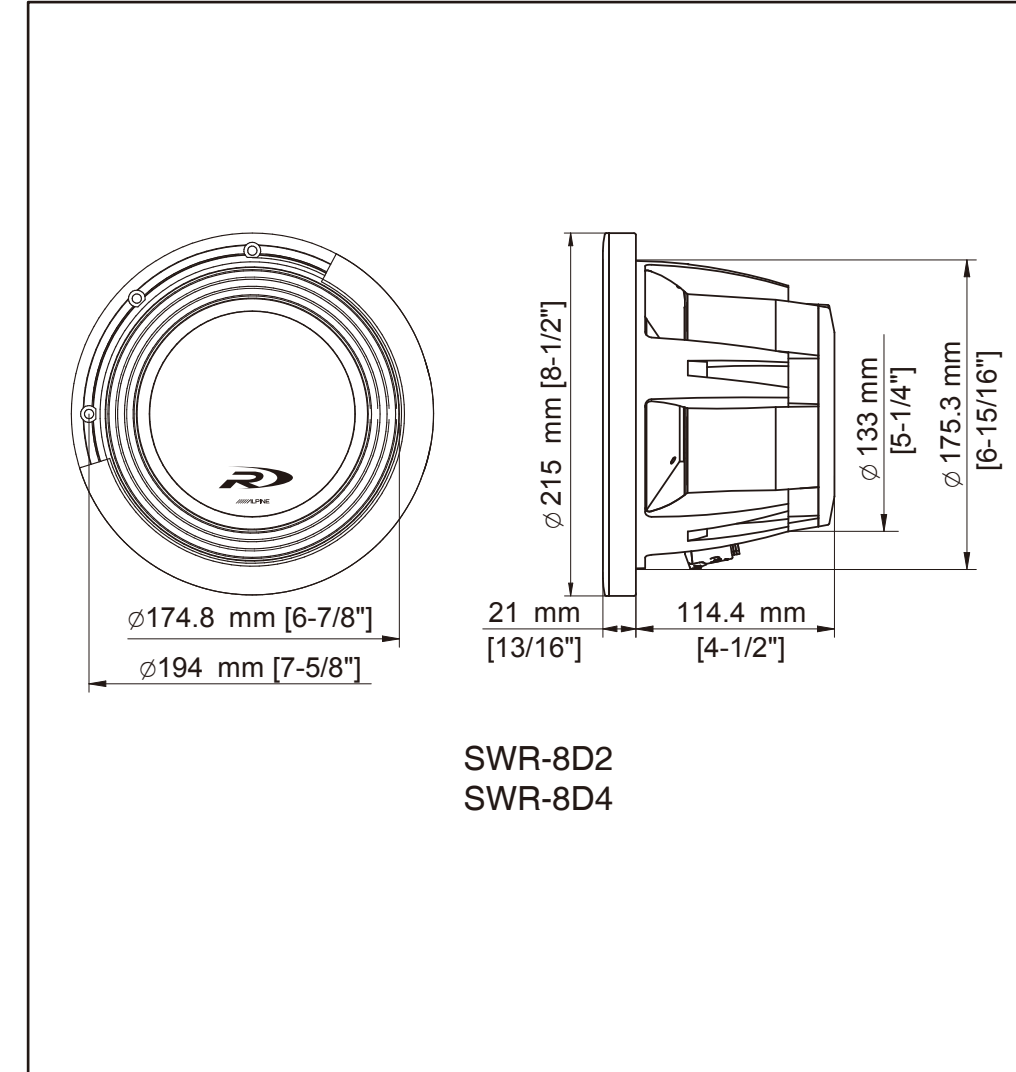
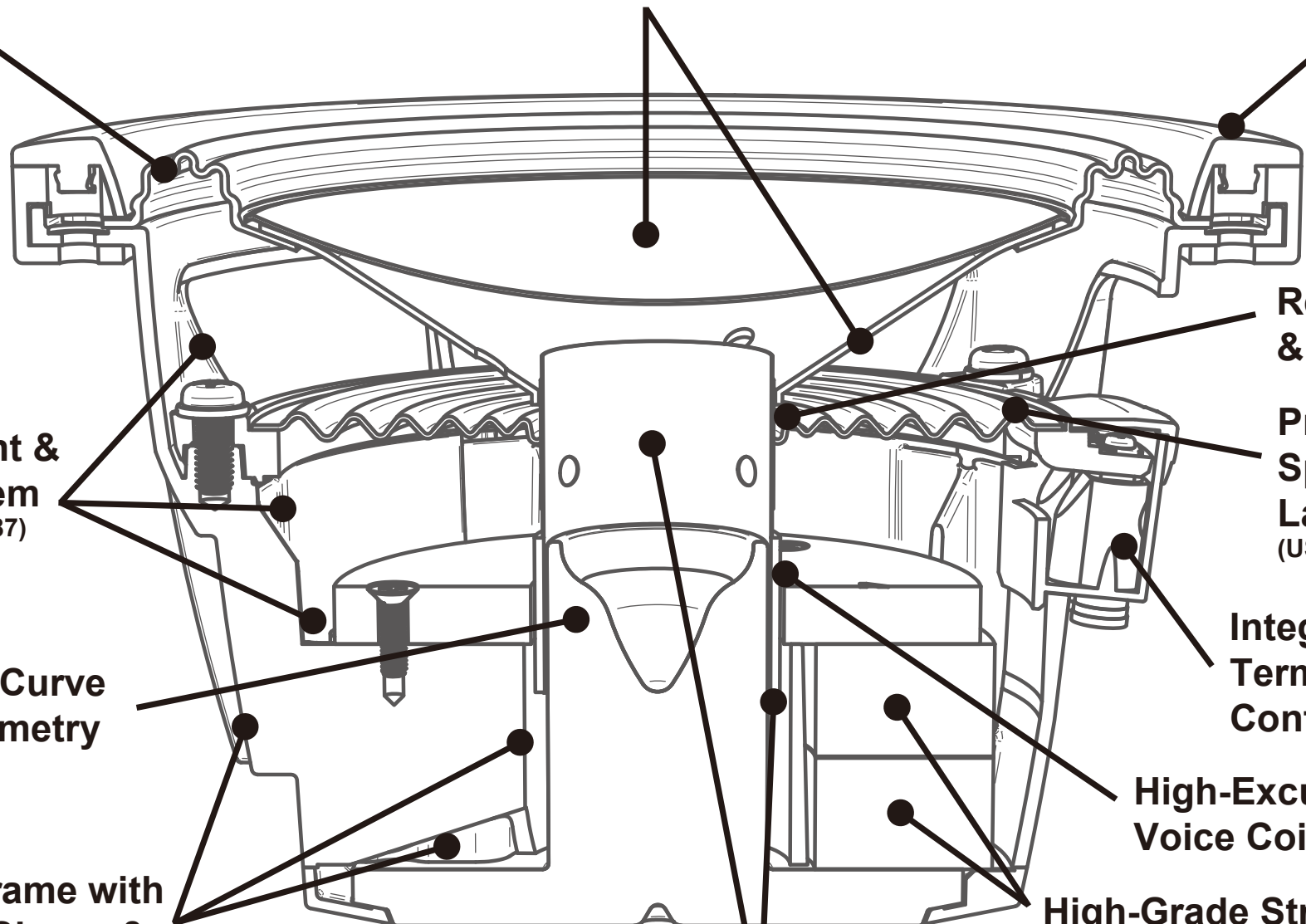
High-Grade Strontium Ferrite Segmented Magnet Assembly

38mm Voice Coil with High-Temp 4-Layer DVC Winding on Spiral Cut

Airflow Management & Heat Transfer System
(US Pat #7,684,585; #6,678,387)

Compound Radius Curve Extended Pole Geometry
(US Pat #6,639,993)

Cast Aluminum Frame with Integral Shorting Sleeve & Radial Vented Heat Sink
(US Pat #7,634,101; #7,272,238; other patents pending)



SWR-8D2
SWR-8D4



**TYPE-R SUBWOOFER
HAUT-PARLEUR D'EXTRÊMES GRAVES TYPE-R
APPLICATION GUIDE
GUIDE D' APPLICATION**

SWR-8D4

8 Inch Dual Voice Coil Subwoofer (4Ω)+(4Ω)
Haut-parleur d'extrêmes graves à double bobine 8 po (4Ω)+(4Ω)

SWR-8D2

8 Inch Dual Voice Coil Subwoofer (2Ω)+(2Ω)
Haut-parleur d'extrêmes graves à double bobine 8 po (2Ω)+(2Ω)



ALPINE ELECTRONICS MARKETING, INC.
1-7 Yukigaya-otsukamachi,
Ota-ku, Tokyo 145-0067, Japan
Tel: (03) 5499-4531

ALPINE ELECTRONICS OF AMERICA, INC.
19145 Gramercy Place, Torrance,
California 90501, U.S.A.
Tel: 1-800-ALPINE-1 (1-800-257-4631)

ALPINE ELECTRONICS OF CANADA, INC.
777 Supertest Road, Toronto,
Ontario M3J 2M9, Canada
Tel: (416) 736-6211

ALPINE ELECTRONICS OF AUSTRALIA PTY. LTD.
161-165 Princes Highway, Hallam
Victoria 3803, Australia
Tel: (03) 8787-1200

ALPINE ELECTRONICS DE ESPAÑA, S.A.
Portal de Gamarra 36, Pabellón 32
01013 Vitoria (Álava). APDO. 133, Spain
Tel: (945) 283-588

ALPINE ELECTRONICS GmbH
Wilhelm-Wagenfeld-Straße 1-3
80807 München, Germany
Tel: (089) 324-2640

ALPINE ELECTRONICS (Benelux) GmbH
Leuvensesteenweg 510-B6
1930 Zaventem, Belgium
Tel: 02-7251315

ALPINE ELECTRONICS OF U.K., LTD.
Alpine House Earplace Business Park,
Fletchamstead Highway, Coventry CV4, 9TW
United Kingdom
Tel: (2476) 719-500

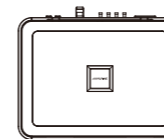
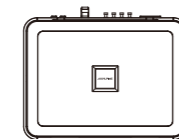
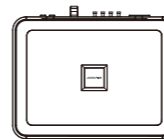
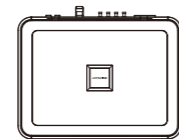
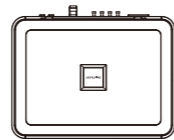
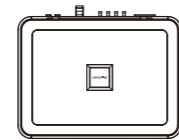
ALPINE ELECTRONICS FRANCE S.A.R.L.
98, Rue de la Belle Etoile, Z.I. Paris Nord,
B.P. 50016, 95945, Roissy Charles de Gaulle
Cédex, France
Tel: (01) 4863-8989

ALPINE ITALIA S.p.A.
Viale C. Colombo 8,
20090 Trezzano Sul Naviglio (MI), Italy
Tel: (02) 484-781

Printed in CHINA

Ggneral Specifications		
Sealed	Taille	
Frequency Response	Response en Fréquence	
Power Range	Plage de Puissance	
Power Handling	Puissance Admissible	
Magnet Weight	Poids de l'aimant	
Voice Coil Diameter	Diamètre de la bobine	
Thiel-Small Parameters		
Sensitivity (1W/1m)	Sensibilité (1W/1m)	SPL
DC Resistance	Résistance CC	Re
Inductance	Inductance	Le
Free Air Resonance	Résonance à l'air libre	Fs
Equivalent Stiffness	Raiduer équivalente	Vas
Mechanical Q	Q Mécanique	Qms
Electrical Q	Q Électrique	Qes
Total Q	Q Total	Qts
Cone Area	Surface du diaphragme	Sd
Linear Excursion	Displacement Linéaire	Xmax (1-way)
Mechanical Travel	Déplacement Mécanique	Xmech (P-P)

Type-R	
SWR-8D2	SWR-8D4
2 Ω+2 Ω	4 Ω+4 Ω
8"	
30 Hz-200 Hz	
150 W-350 W RMS (efficace)	
350 W RMS (efficace) / 1000 W PEAK (de crête)	
52 oz	
40 mm (1.6")	
Thiel-Small Parameters	
83.5 dB	
1.85 Ω+1.85 Ω	3.7 Ω+3.7 Ω
-----	-----
40 Hz	42 Hz
10.5 L (0.37 ft³)	10.3 L (0.36 ft³)
7.2	6.8
0.54	0.62
0.50	0.57
201 cm²	
12 mm	
52 mm	



3

3

3

2

Note: Specifications subject to change without notice